

- KD-0350A
- KY-0350A
- KD-0350W
- KY-0350W



K-0350 Ice Kube Machine



- Easy access to food zone with removal of two screws and lift-off door
- High-tech exterior with smudge and fingerprint resistant stainless-like finish
- White plastics in the food zone help identify areas needing cleaning
- Water shield, distribution tube, pump, floats, and trough removable by hand
- Available CleanAir™ pack controls the growth of bacteria and fungi that form slime and cause odors in the food zone

WARRANTY:

Ice Maker: 3 year Parts & Labor
 Evaporator: 5 year Parts & Labor
 Compressor: 5 year Parts & 3 year Labor



HALF KUBE
 $\frac{3}{8}'' \times 1\frac{1}{8}'' \times \frac{7}{8}''$
 (.95 x 2.86 x 2.22 cm)

$\frac{\text{snowflake}}{\text{water drop}} = 100\%$



KUBE
 $\frac{7}{8}'' \times \frac{7}{8}'' \times \frac{7}{8}''$
 (2.22 x 2.22 x 2.22 cm)

$\frac{\text{snowflake}}{\text{water drop}} = 100\%$

R410A Refrigerant



Koolaire K0350 Ice Kube Machine on a K400 bin.

K-0350
ICE KUBE MACHINE

KOOLAIRE®

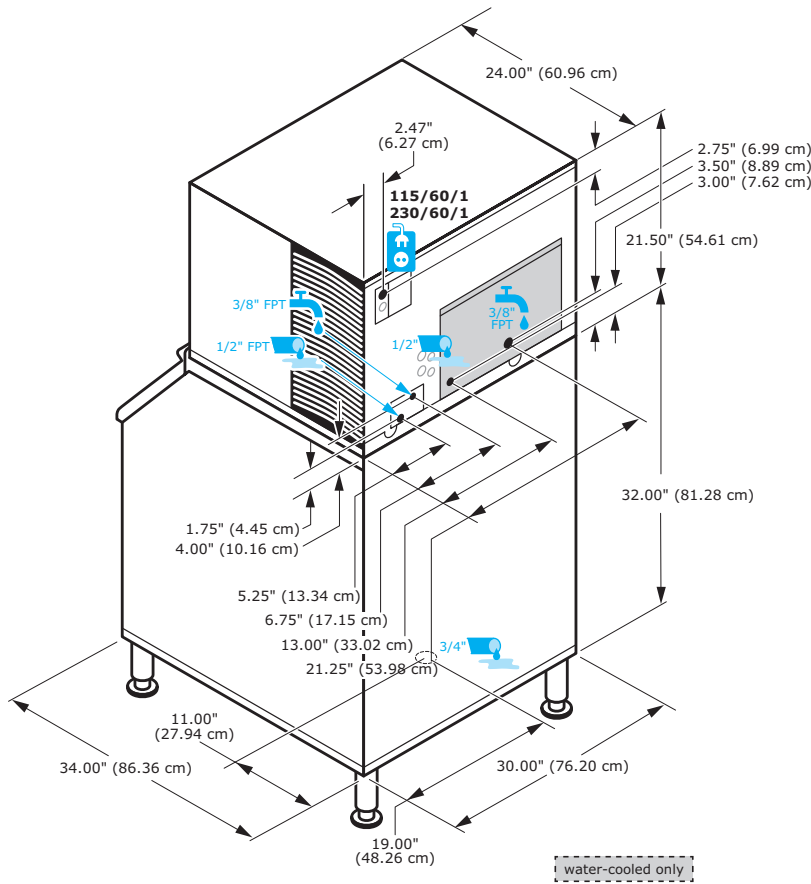
by **Manitowoc**

2110 SOUTH 26TH ST | MANITOWOC, WI 54220 USA | 1-920-682-0161 [www.kool-aire.com]



K-0350 ICE KUBE MACHINE

			24h				
			70°/50° F 21°/10° C	90°/70° F 32°/21° C			
KD-0350A			375 lbs	300 lbs	6.2	20	•
			170 kg	136 kg			
KY-0350A			400 lbs	320 lbs	6.2	20	•
			181 kg	145 kg			
KD-0350W			381 lbs	305 lbs	5.2	20	
			173 kg	138 kg			
KY-0350W			388 lbs	310 lbs	5.2	20	
			176 kg	141 kg			



Minimum	Maximum
35°F 1.7°C	110°F 43.3°C
35°F 1.7°C	90°F 32.2°C
20psi 138 kPa	80psi 551 kPa
12.1 11.4	A
	20 Amps
153 lbs 147 lbs	69 kg 67 kg

Water cooled condenser water usage/100 lbs. or 45.4 kg. of ice : 170 gals. /644 L.

Popular Accessories			
Artic Pure Water Filters AR-Pre & AR 10000	Dispenser Bin Thermostat Kit K-00457	Top Air Discharge Kit K-00379	Clean Air Pack K-00206

KOOLAIRE®

by **Manitowoc**

2110 SOUTH 26TH ST | MANITOWOC, WI 54220 USA | 1-920-682-0161 [www.kool-aire.com]